

SAFETY RULES


Do not connect loads with more than permissible power.



Connect only in accordance with the diagram presented in the manual. Improper connections may be dangerous, it can damage the controller, and loss of the warranty.



DANGER! Risk of electric shock! Even with the device turned off, the outputs may be live. All assembly work should be ALWAYS performed with the disconnected power circuit.



Connecting the device to a power supply that does not meet the quality requirements specified in EN 50081-1, EN 50082-1, UL508, EN 60950 will invalidate the warranty.

INSTALLATION

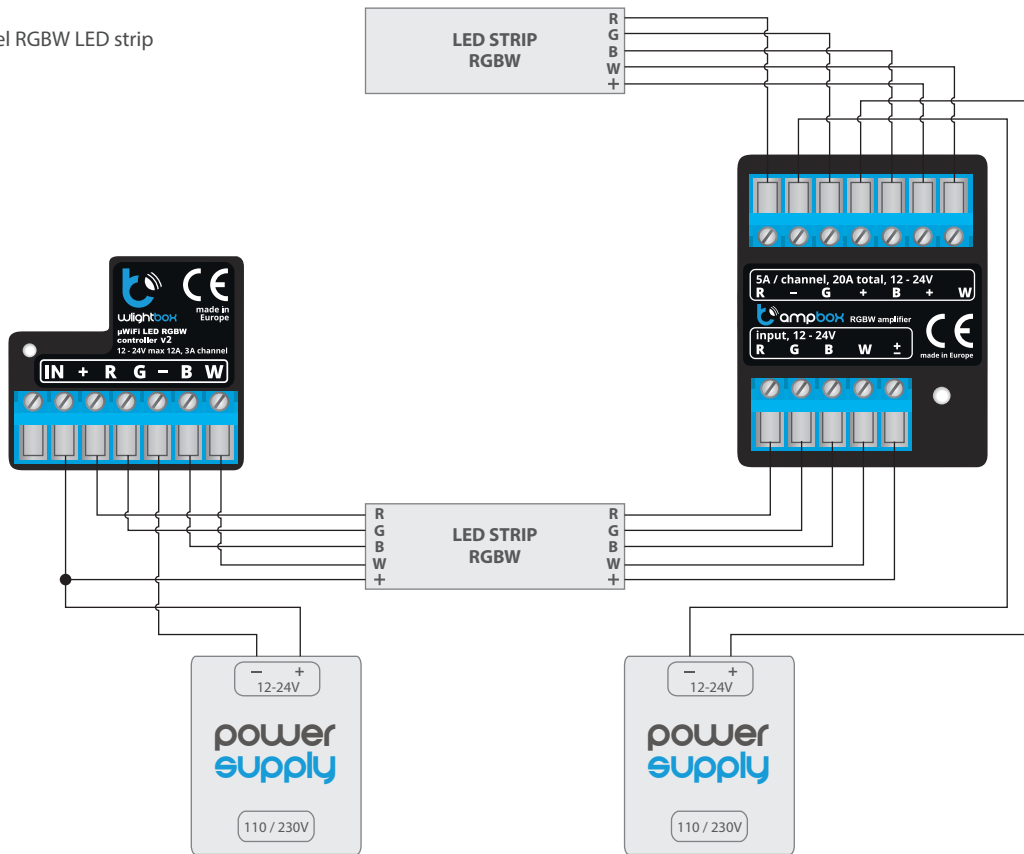
- Disconnect the installation supply voltage before installing the controller. Remember that any mounting works should be carried out when the mains voltage is disconnected.
- The controller should be installed in a place protected against adverse environmental conditions, protected from third party access. It is recommended that the device be mounted in a stable and fixed position.
- The device can work with various BleBox controllers, including the wLightBox, wLightBoxS or lightBox, in various configurations. Inputs of individual channels are opto-isolated.
- Familiarize yourself with the diagram and then proceed with the installation of the controller. Pay special attention to the designation of the controller connectors. Start by connecting the power wires: (+) (red or black with a white dotted line) and (-) (black).
- Connect the LED strip paying attention to the polarity. Depending on the use, it is possible to connect one RGBW strip, one RGB strip, one RGB strip with a single white strip, four monochromatic strips (single-colour), one 2-channel CT strip (CCT, CW/WW) or two 2-channel CT strips. The "+" anode wire (usually white color in multicolored strips or red in monochrome and CT strips) must be connected to the "+" connector of the controller, and the cathode wire "-" (color corresponding to each color of the LEDs in multi-color strips, black or white color in monochrome strips) to the corresponding output, i.e. R, G, B or W. For LED CT strip, the WW wire (warm white) should be connected to the output of the controller marked with the letter R and the CW wire (cold white) to the output marked with the letter G. In situation of two LED CT strips, the WW wire of the second strip should be connected to the output of the controller marked with the letter B and the CW wire to the output marked with the letter W. The controller also allows to control halogen lamps, the polarity of the wiring is not important.
- After making sure that the device is connected in accordance with the diagram and that there are no metal components near the controller which may accidentally cause short-circuit, start the device by turning on the power (turning on the mains fuse or connecting the power cord to the power outlet).
- Test the operation of the controller by setting the appropriate setpoints on the cooperating master device.

TECHNICAL SPECIFICATIONS

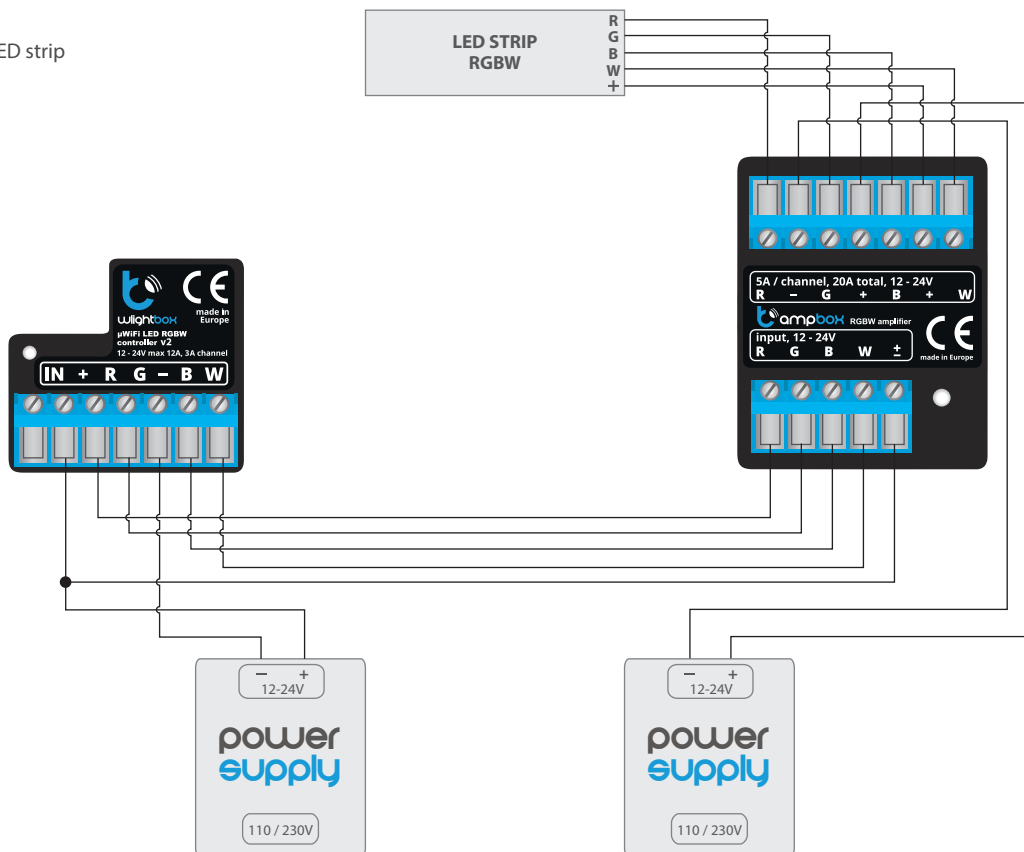
supply voltage	12 – 24 V DC
maximum current	20A
maximum current / channel	5 A
number of channels	4
maximum power	480 W
energy consumption	< 0,1 W
dimensions	48 x 40 x 19 mm
housing	non-flammable resin which dissipates heat
mounting method	in the flush-mounted box, inside the housing of the lighting
input signal	PMW common VCC or GND
galvanic separation	yes - optical
correction signal	yes - digital
protection level	IP20
connection method	screw terminal block connector
controller operating temperature	from -10 to + 40°C
output signal	PMW common VCC
power IC	internal rectifiers n-type metal oxide semiconductor field effect transistor

CONNECTION DIAGRAMS

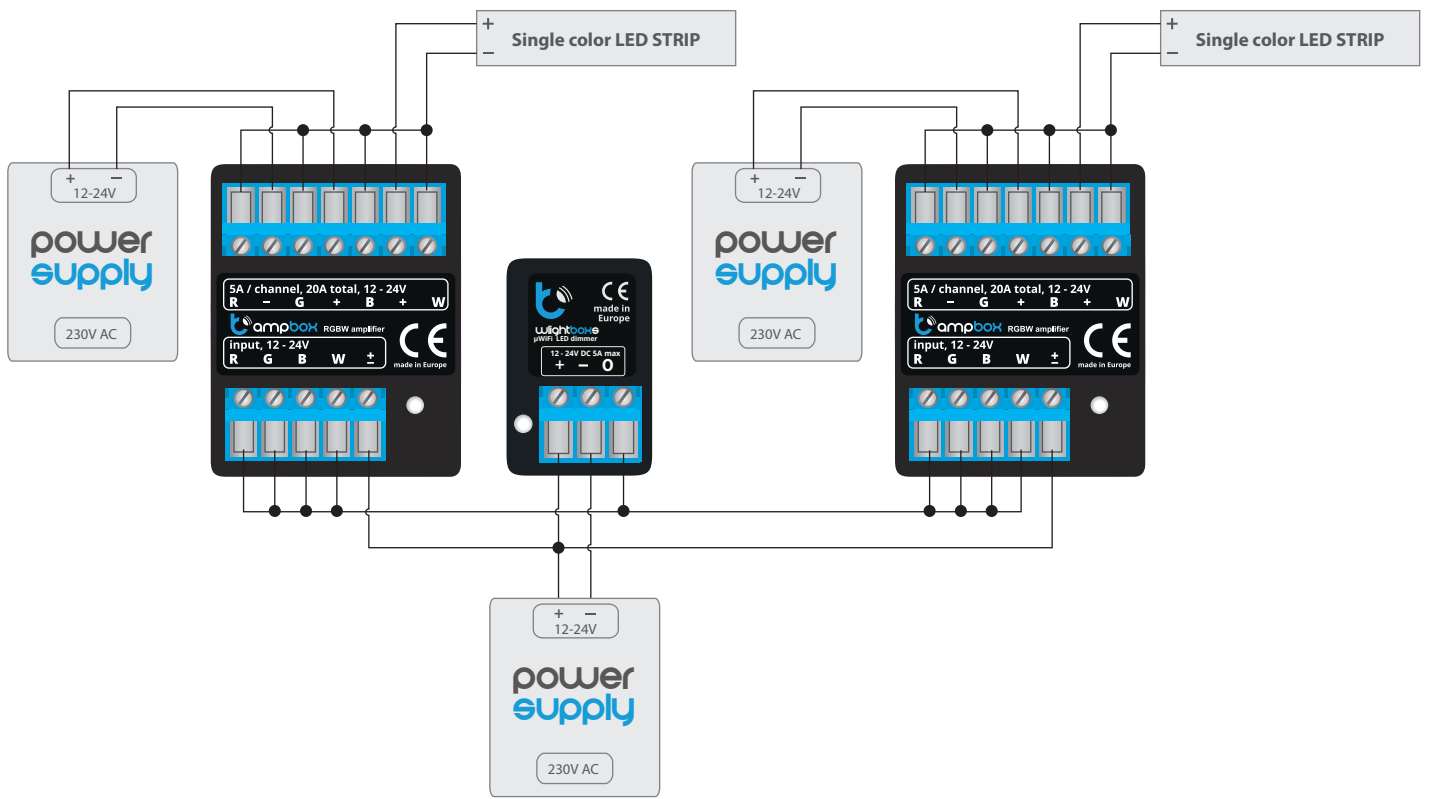
- 2 strips of 4-channel RGBW LED strip



- 4-channel RGBW LED strip



- 2 single-channel LED strip



for more information visit our website
www.blebox.eu

or send us an email to: info@blebox.eu
 support is available at support@blebox.eu

made in europe



proudly made by
blebox